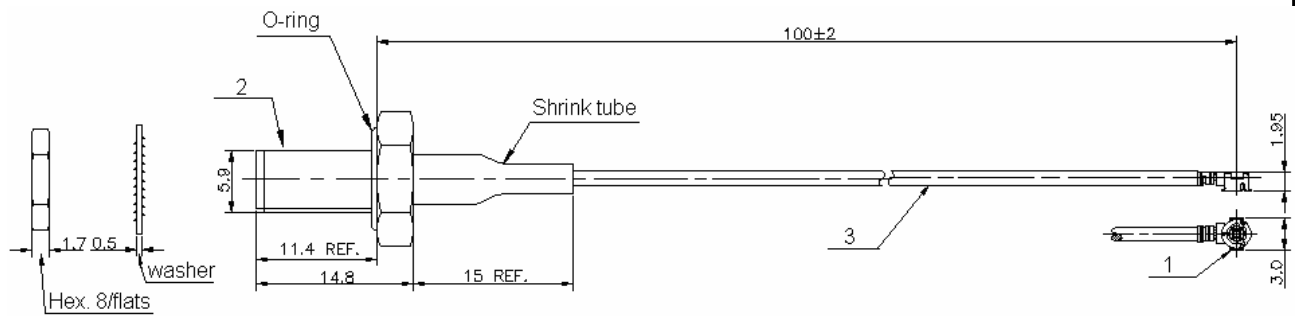


PLUG MML H2.5-JACK SMA BULKHEAD PANEL SEALED

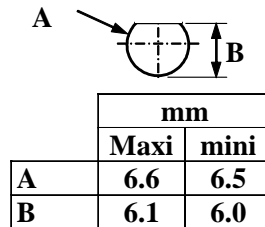
R302.255.001

CABLE 1.33/50S-BR, LENGTH 10CM

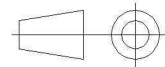
Series : MML



PANEL CUT OUT



All dimensions are in mm.



- * 1 * Connector A : **MML H2.5 PLUG(gold plated)**
- * 2 * Connector B : **SMA JACK BULKHEAD PANEL SEALED(gold plated)**
- * 3 * Cable : **1.33/50S BLACK**

ELECTRICAL CHARACTERISTICS

Impedance	50 Ω
Frequency	0-3 GHz
Operating temperature	-40/+90 ° C
VSWR	1.5 + 0,000 x F(GHz) Maxi
Insertion loss	0.3 √F(GHz) dB Maxi
Voltage rating	250 Veff Maxi
Dielectric withstanding	300 Veff mini
Insulation resistance	500 MΩ mini

SPECIFICATION

Weight	4,9000 g
Cable retention	19.6 N mini
Mating life	30 cycles
Others :	

